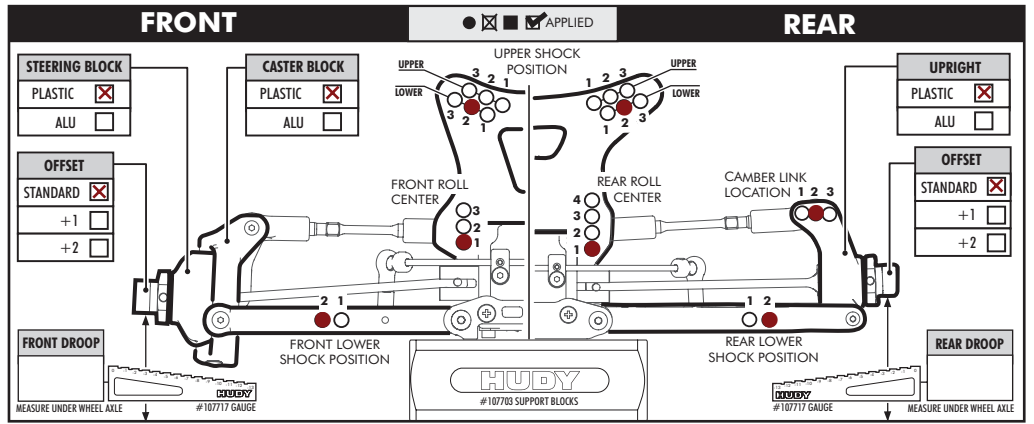


RACE	N/A		
TRACK	Pendle		
NAME	Dominic Knight		
CITY / COUNTRY			
CONTACT	dominic@yellowsatsuma.com		
DATE	13/12/2009		
TEMPERATURE / °F or °C	AIR	TRACK	
LAPS	FINAL POSITION	BEST LAP TIME / sec	RACE LENGTH / min.



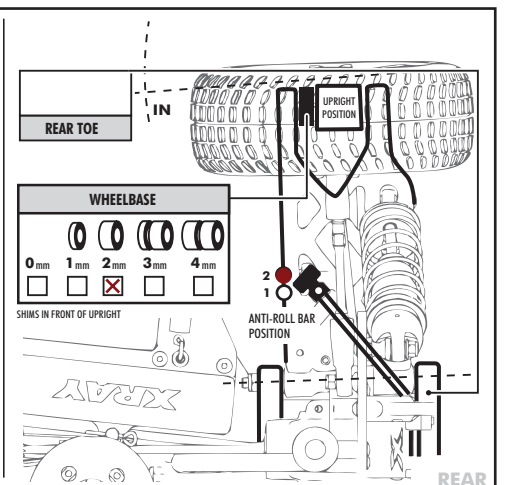
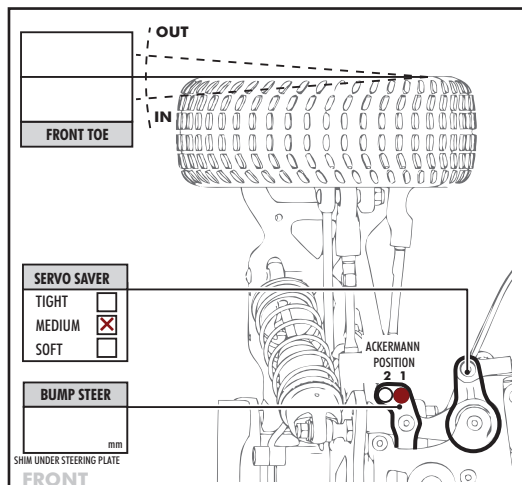
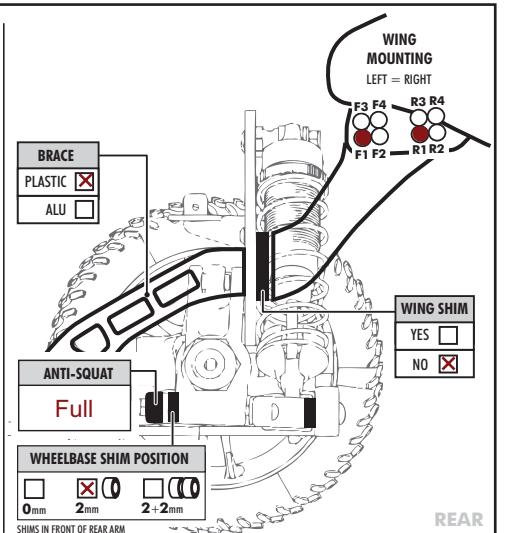
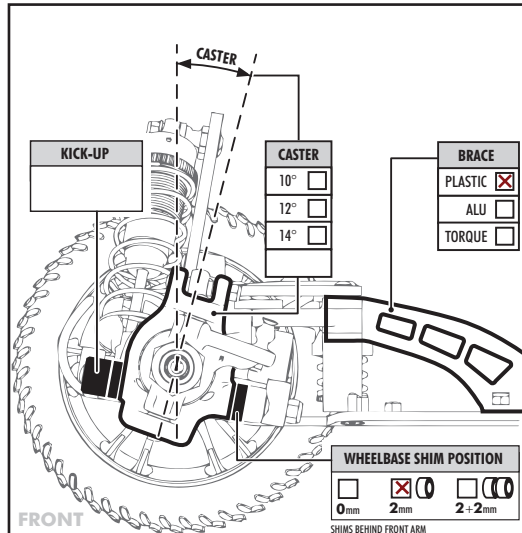
TRACK SIZE	<input type="checkbox"/> OPEN	<input type="checkbox"/> MEDIUM	<input type="checkbox"/> TIGHT
TRACK TRACTION	<input type="checkbox"/> HIGH	<input type="checkbox"/> MEDIUM	<input type="checkbox"/> LOW
TRACK SURFACE	<input type="checkbox"/> SMOOTH	<input type="checkbox"/> MEDIUM	<input checked="" type="checkbox"/> BUMPY
TRACK TYPE	<input type="checkbox"/> HARD PACKED	<input type="checkbox"/> SOFT DIRT	<input type="checkbox"/> CLAY
	<input type="checkbox"/> BLUE GROOVE	<input type="checkbox"/> ASTRO TURF	<input type="checkbox"/> GRASS
TRACK CONDITION	<input type="checkbox"/> DRY	<input type="checkbox"/> DUSTY	<input type="checkbox"/> WET <input checked="" type="checkbox"/> MUD

DIFFERENTIALS		
TYPE		
FRONT	CENTER	REAR
STD	STD	STD
DIFFERENTIAL - OIL		
7k	5k	3k

GEARING			
CLUTCH BELL	STD	SPUR GEAR	STD
PINION		CROWN GEAR	

SPRING THK SHOE Red Alu

FRONT	SHOCKS	REAR
#358182 C = 0.65	WHITE <input type="checkbox"/>	#358282 C = 0.47
#358183 C = 0.70	GREY <input checked="" type="checkbox"/>	#358283 C = 0.50
#358184 C = 0.75	SILVER <input type="checkbox"/>	#358284 C = 0.53
#358185 C = 0.80	GREY-BLUE <input type="checkbox"/>	#358285 C = 0.57
#358186 C = 0.86	BLUE <input type="checkbox"/>	#358286 C = 0.61
#358187 C = 0.92	VIOLET <input type="checkbox"/>	#358287 C = 0.65
#358188 C = 0.98	PURPLE <input type="checkbox"/>	#358288 C = 0.70
	OTHER	
60	OIL / cST	60
1/4	REBOUND / %	1/4
1.3 mm <input type="checkbox"/>	PISTONS HOLES SIZE	1.3 mm <input type="checkbox"/>
1.4 mm <input type="checkbox"/>		1.4 mm <input type="checkbox"/>
1.5 mm <input checked="" type="checkbox"/>		1.5 mm <input checked="" type="checkbox"/>
	OTHER	

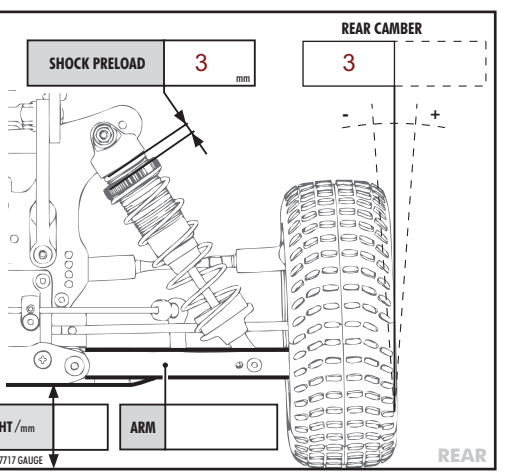
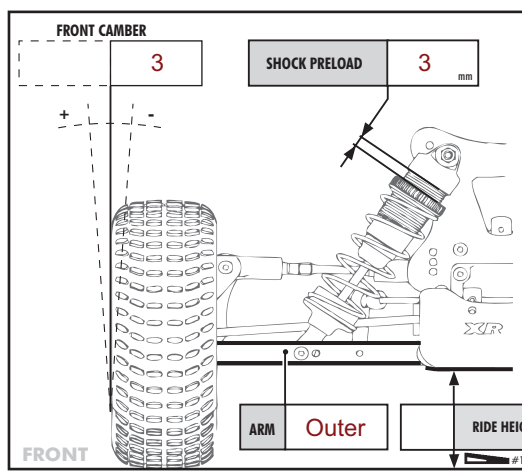


FRONT	ANTI ROLL BAR	REAR
1.4	THICKNESS / mm	1.6

FRONT	TIRES	REAR
Spiral	TYPE	Spiral
	INSERTS	
HN	WHEELS	HN

ENGINE	
TYPE	RB H9
MANIFOLD	RS
MUFLER	RS
PLUG	RB
FUEL	DC+ 20%

BODY	
TYPE	Std Low Profile



COMMENTS